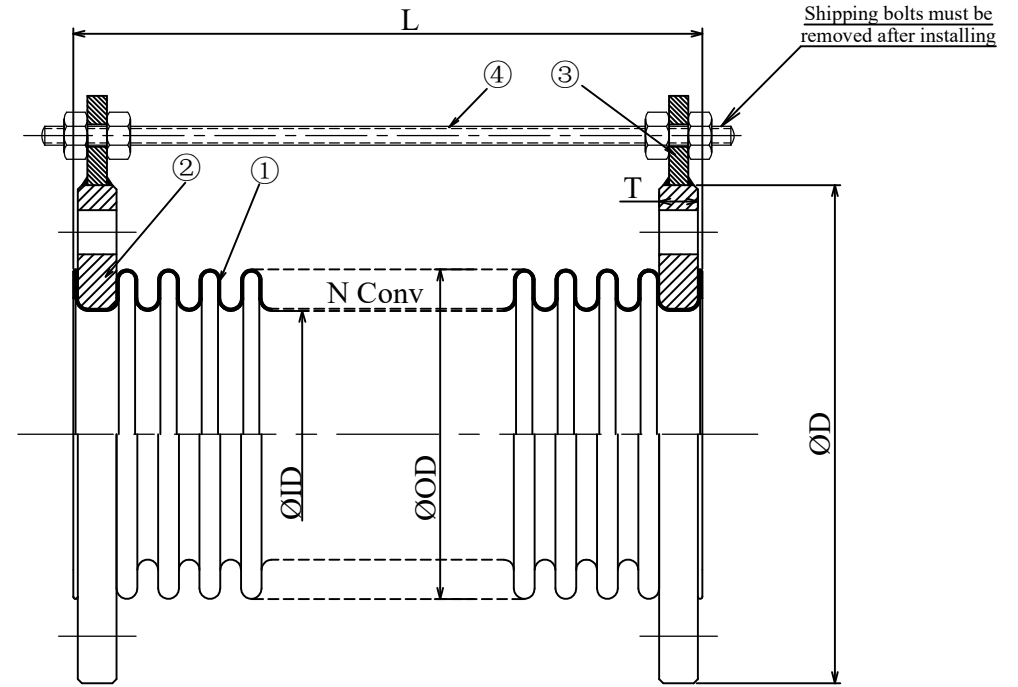
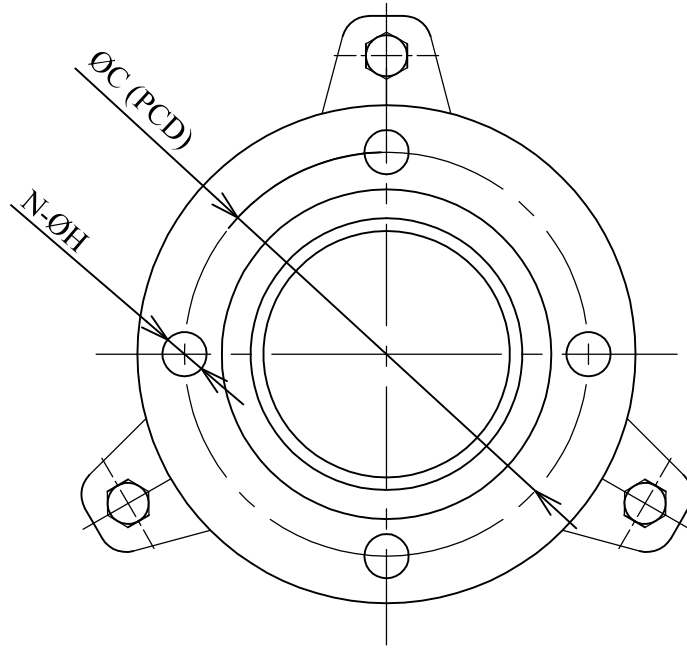


MARK	DATE	REV. RECORD	REV. BY	APPR. BY
△				
△				
△				




Size		Flange				Bellows			Length	Q'ty
DN	Inch	D	C	T	N-H	ID	OD	N	AL	Q
20	3/4	100	75	14	4-15	27.0	37.0	-	-	-
25	1	125	90	14	4-19	33.5	45.1	-	-	-
32	1-1/4	135	100	16	4-19	42.0	56.0	-	-	-
40	1-1/2	140	105	16	4-19	47.5	62.0	-	-	-
50	2	155	120	16	4-19	59.5	75.0	-	-	-
65	2-1/2	175	140	18	4-19	75.0	95.0	-	-	-
80	3	185	150	18	8-19	88.0	110.0	-	-	-

Size		Flange				Bellows			Length	Q'ty
DN	Inch	D	C	T	N-H	ID	OD	N	AL	Q
100	4	210	165	16	8-19	113.0	135.0	-	-	-
125	5	250	200	16	8-19	138.0	161.4	-	-	-
150	6	280	230	18	8-19	164.0	191.0	-	-	-
200	8	330	280	20	8-23	216.0	243.0	-	-	-
250	10	400	200	16	8-19	268.0	301.0	-	-	-
300	12	445	230	18	8-19	317.0	354.0	-	-	-
350	14	490	280	20	8-23	356.0	393.2	-	-	-

Note:

- 1.
- 2.
- 3.

10	-	-	-	-	Customer	-	Product Name	NK-7300		
9	-	-	-	-	Nominal Dia	DN20~350	Bellows type Expansion Joint			
8	-	-	-	-	Length	L---	mm	Projection method	Scale	Free
7	-	-	-	-	Fluid	-	Date	Approved	Checked	Drawn
6	-	-	-	-	Design press	0.1	Mpa	20/05/2022	-	Dat
5	-	-	-	-	Design tem.	40	°C	-	-	Sang
4	Shipping bolts	SS400	3	M12	Hydro test	-	Mpa	 A Member Of Nagoku Flexible Hose Industry NFK VIET NAM CO.,LTD		
3	Holder	SS400/SUS304	6	For M12	Pneum. test	-	Mpa			
2	Flange	SS400/SUS304	2	JIS 10K	Bend radius	-	mm			
1	Bellows	SUS304	1	iO type	Axial move	-	mm			
No	Parts name	Material	Q'ty	Remark	Lateral move	-	mm			
							Draw No	NFK-VN000***		