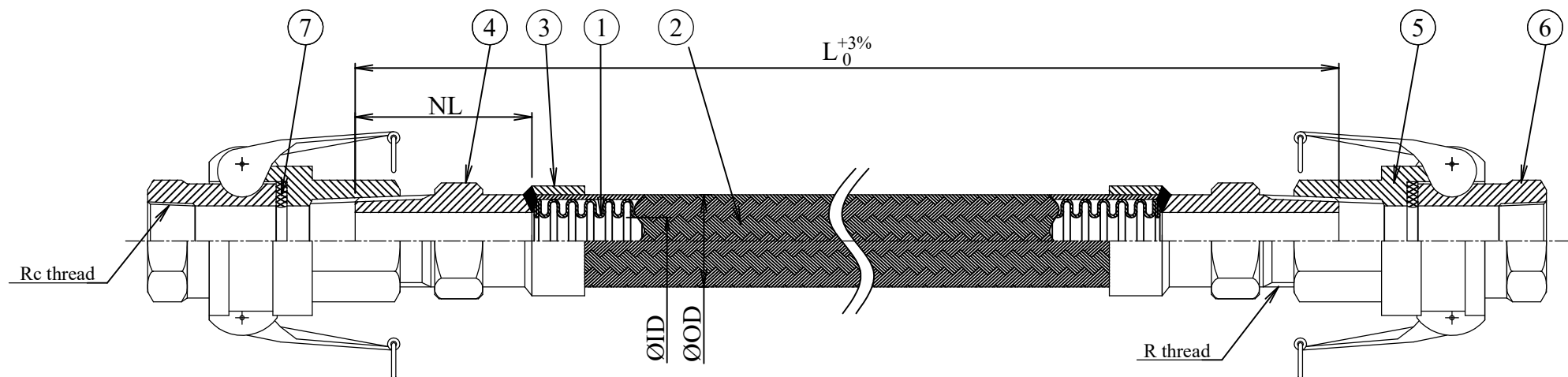


Customer	--
Project	--

MARK	DATE	REV. RECORD	REV. BY	APPR. BY
△				
△				
△				



Size		Nipple		Tube		Length	Q'ty
DN	Inch	Rc	NL	ID	OD	L	Q
20	3/4	3/4	38	19.0	26.9	500~	-
25	1	1	40	25.3	34.0	500~	-
32	1-1/4	1-1/4	47	33.5	42.2	500~	-
40	1-1/2	1-1/2	49	39.1	49.1	500~	-
50	2	2	56	52.6	63.1	500~	-
65	2-1/2	2-1/2	62	66.0	78.6	500~	-
80	3	3	56	75.0	93.3	500~	-
100	4	4	62	101.0	123.0	500~	-

Note:

- 1.
- 2.
- 3.

10	-	-	-	-	Customer	-	Product Name	NK-VN3500FF Metallic Flexible Hose		
9	-	-	-	-	Nominal Dia	DN20-100	Projection method		Scale	Free
8	-	-	-	-	Length	L500~ mm			Date	Approved
7	Packing	NBR/FKM	2	-	Fluid	-	20/05/2022	-	Dat	Sang
6	Female adapter	SCS13/SCS14	2	Type A	Design press	1.0 Mpa	A Member Of Nagoku Flexible Hose Industry NFK VIET NAM CO.,LTD			
5	Lever coupling	SCS13/SCS14	2	Type D	Design temper.	40 °C				
4	Nipple	SCS13/SS400	2	-	Hydraulic test	- Mpa				
3	Braid sleeve	SUS304	2	-	Pneumatic test	1.1 Mpa				
2	Braid	SUS304	1	1ply	Bend radius	- mm				
1	Tube	SUS304	1	STD	Axial move	- mm	Draw No	NFK-VN000***		
No	Parts name	Material	Q'ty	Remark	Lateral move	- mm				