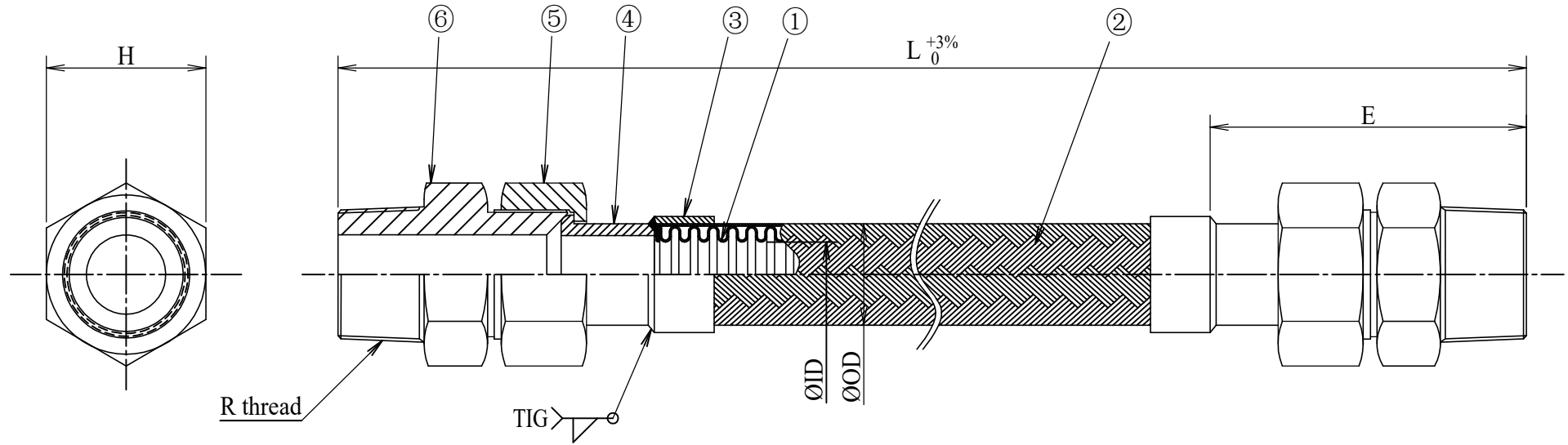


Customer	--
Project	--

MARK	DATE	REV. RECORD	REV. BY	APPR. BY
△				
△				
△				



Size		Tube		Nipple / Nut			Length/Q'ty/Weight		
DN	Inch	ID	OD	H	R	E	L	Q	W(kg)
15	1/2	13.0	19.6	26	1/2	57.5	200~	-	-
20	3/4	19.0	26.9	32	3/4	62	200~	-	-
25	1	25.3	34.0	38	1	72	250~	-	-
32	1-1/4	33.5	42.2	50	1-1/4	78	300~	-	-
40	1-1/2	39.1	49.1	55	1-1/2	82.5	300~	-	-
50	2	52.6	63.1	70	2	96.5	300~	-	-

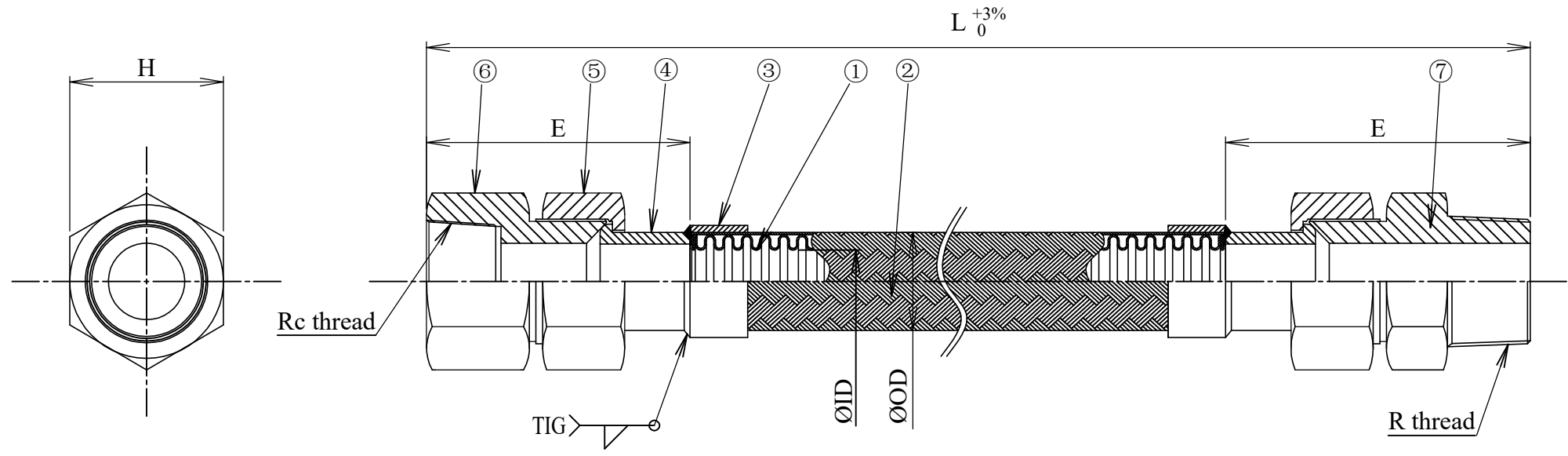
10	-	-	-	-	Customer	-	Product Name	NK-VN2000MM Metallic Flexible Hose		
9	-	-	-	-	Nominal Dia	DN15~50	Projection method		Scale	Free
8	-	-	-	-	Length	L200~ mm	Date	Approved	Checked	Drawn
7	-	-	-	-	Fluid	-	17/05/2022	-	Dat	Sang
6	Male adapter	SS400/SCS13	2	BSPT - R	Design press	1.0 Mpa	A Member Of Nagoku Flexible Hose Industry NFK VIET NAM CO.,LTD			
5	Nuts	SS400/SCS13	2	-	Design temper.	40 °C				
4	Sleeve	SS400/SCS13	2	-	Hydraulic test	- Mpa				
3	Braid sleeve	SUS304	2	-	Pneumatic test	1.1 Mpa				
2	Braid	SUS304	1	1ply	Bend radius	- mm				
1	Tube	SUS304	1	STD	Axial move	- mm	Draw No	NFK-VN000***		
No	Parts name	Material	Q'ty	Remark	Lateral move	- mm				

Note:

- 1.
- 2.
- 3.

Customer	--
Project	--

MARK	DATE	REV. RECORD	REV. BY	APPR. BY
△				
△				
△				



Size		Tube		Adapter				Length/Q'ty/Weight		
DN	Inch	ID	OD	H	R	Rc	E	L	Q	W(kg)
15	1/2	13.0	19.6	26	1/2	1/2	57.5	200~	-	-
20	3/4	19.0	26.9	32	3/4	3/4	62	200~	-	-
25	1	25.3	34.0	38	1	1	72	250~	-	-
32	1-1/4	33.5	42.2	50	1-1/4	1-1/4	78	300~	-	-
40	1-1/2	39.1	49.1	55	1-1/2	1-1/2	82.5	300~	-	-
50	2	52.6	63.1	70	2	2	96.5	300~	-	-

Note:

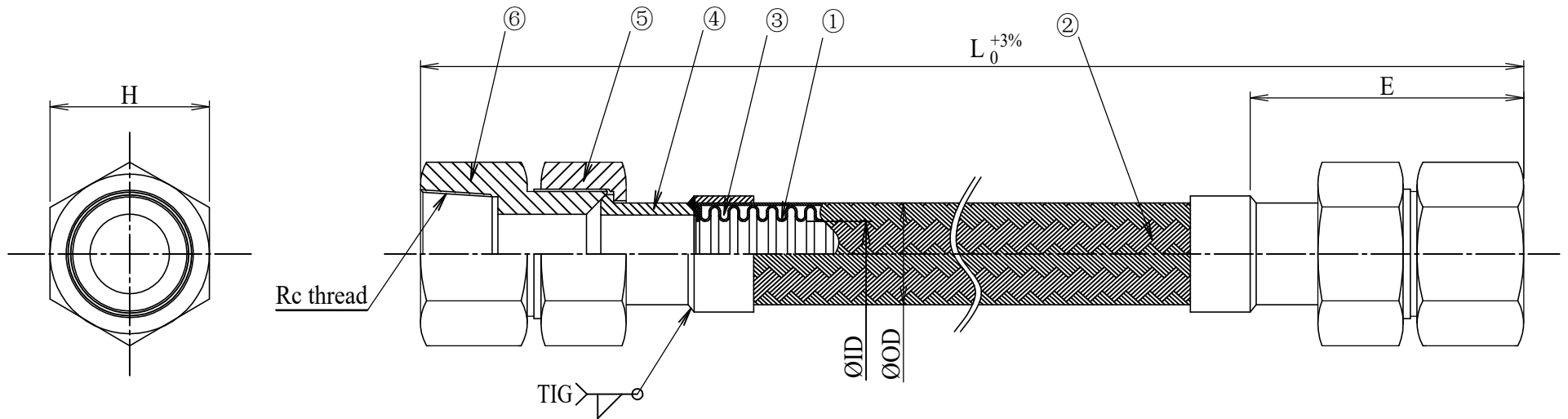
- 1.
- 2.
- 3.

10	-	-	-	-	Customer	-	Product Name	NK-VN2000MF Metallic Flexible Hose			
9	-	-	-	-	Nominal Dia	DN15~50	Projection method		Scale	Free	
8	-	-	-	-	Length	L200~ mm	Date	17/05/2022	Approved	Checked	Drawn
7	Female adapter	SS400/SCS13	1	BSPT - Rc	Fluid	-					
6	Male adapter	SS400/SCS13	1	BSPT - R	Design press	1.0 Mpa					
5	Nuts	SS400/SCS13	2	-	Design temper.	40 °C					
4	Sleeve	SS400/SCS13	2	-	Hydraulic test	- Mpa					
3	Braid sleeve	SUS304	2	-	Pneumatic test	1.1 Mpa					
2	Braid	SUS304	1	1ply	Bend radius	- mm					
1	Tube	SUS304	1	STD	Axial move	- mm					
No	Parts name	Material	Q'ty	Remark	Lateral move	- mm	Draw No	NFK-VN000***			



Customer	--
Project	--

MARK	DATE	REV. RECORD	REV. BY	APPR. BY
△				
△				
△				



Size		Tube		Fittings			Length/Q'ty/Weigth		
DN	Inch	ID	OD	H	Rc	E	L	Q	W
15	1/2	13.0	19.6	26	1/2	57.5	200~	-	-
20	3/4	19.0	26.9	32	3/4	62	200~	-	-
25	1	25.3	34.0	38	1	72	250~	-	-
32	1-1/4	33.5	42.2	50	1-1/4	78	300~	-	-
40	1-1/2	39.1	49.1	55	1-1/2	82.5	300~	-	-
50	2	52.6	63.1	70	2	96.5	300~	-	-

10	-	-	-	-	Customer	-	Product Name	NK-VN2000FF Metallic Flexible Hose			
9	-	-	-	-	Nominal Dia	DN15~50	Projection method		Scale	Free	
8	-	-	-	-	Length	L200~ mm	Date	Approved	Checked	Drawn	
7	-	-	-	-	Fluid	-	17/05/2022	-	Dat	Sang	
6	Female adapter	SS400/SCS13	2	BSPT - Rc	Design press	1.0 Mpa	A Member Of Nagoku Flexible Hose Industry NFK VIET NAM CO.,LTD				
5	Nuts	SS400/SCS13	2	-	Design temper.	40 °C					
4	Sleeve	SS400/SCS13	2	-	Hydraulic test	- Mpa					
3	Braid sleeve	SUS304	2	-	Pneumatic test	1.1 Mpa					
2	Braid	SUS304	1	1ply	Bend radius	- mm					
1	Tube	SUS304	1	STD	Axial move	- mm	Draw No	NFK-VN000***			
No	Parts name	Material	Q'ty	Remark	Lateral move	- mm					

Note:

- 1.
- 2.
- 3.