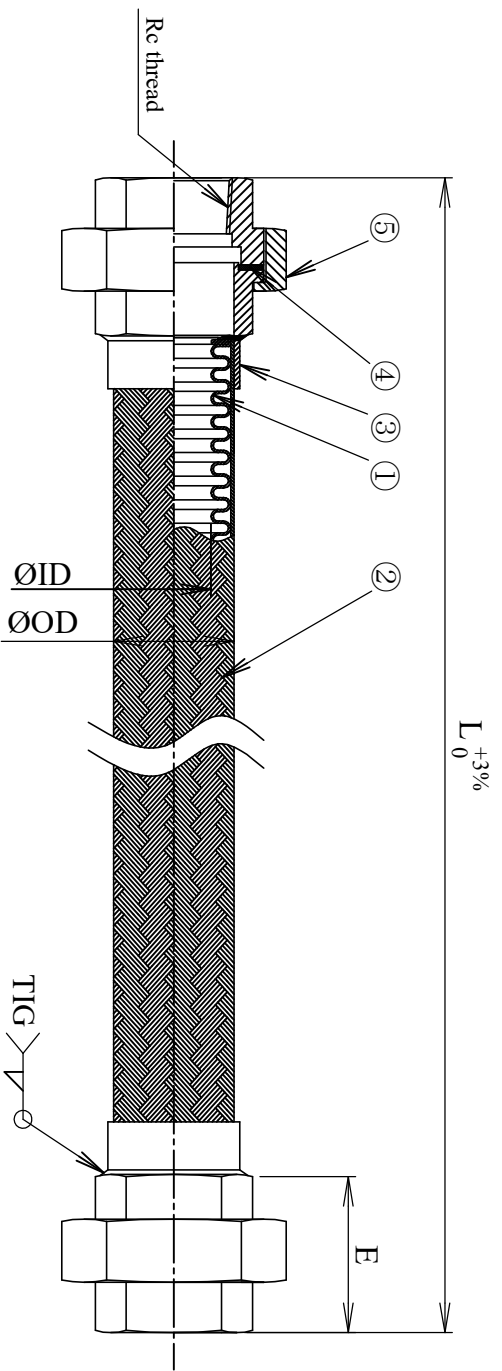
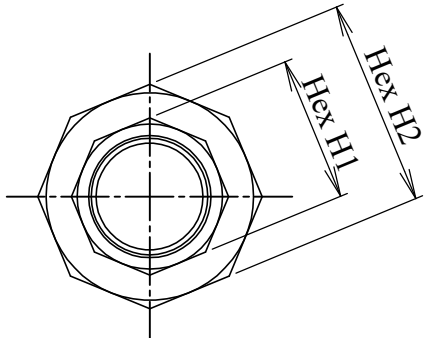


Customer	--
Project	--

MARK	DATE	REV. RECORD	REV. BY	APPR. BY
△				
△				
△				



Size	Union					Tube		Length/Qty/Weight
	DN	Inch	H1	H2	Rc	E	ID	
15	1/2	27	42	1/2	41.7	13.0	19.6	200~
20	3/4	33	49	3/4	49.2	19.0	26.9	200~
25	1	41	59	1	54.7	25.3	34.0	200~
32	1-1/4	50	69	1-1/4	59.7	33.5	42.2	200~
40	1-1/2	56	78	1-1/2	66.7	39.1	49.1	200~
50	2	69	93	2	73.7	52.6	63.1	200~

No	Parts name	Material	Qty	Remark	Lateral move
10	-	-	-	-	-
9	-	-	-	-	-
8	-	-	-	-	-
7	-	-	-	-	-
6	-	-	-	-	-
5	Union	FCMB/SCS13	2	BSPT - Rc	Design temper: 40 °C
4	Gasket	Nonasbestos/PTFE	2	-	Hydraulic test
3	Braid sleeve	SUS304	2	-	Pneumatic test
2	Braid	SUS304	1	Iply	Bend radius
1	Tube	SUS304	1	STD	Axial move

Customer	Project
--	--

**Note:**

- 1.
- 2.
- 3.

Product Name: **NK-VN1200**  
Metallic Flexible Hose

Projection method:

Date: 13/05/2022

Approved:

Checked:

Dat:

Scale:

Free

Drawn:

Draw No: **NFK-VN000\*\*\***

A Member Of Nagoku Flexible Hose Industry  
**NFK VIET NAM CO.,LTD**