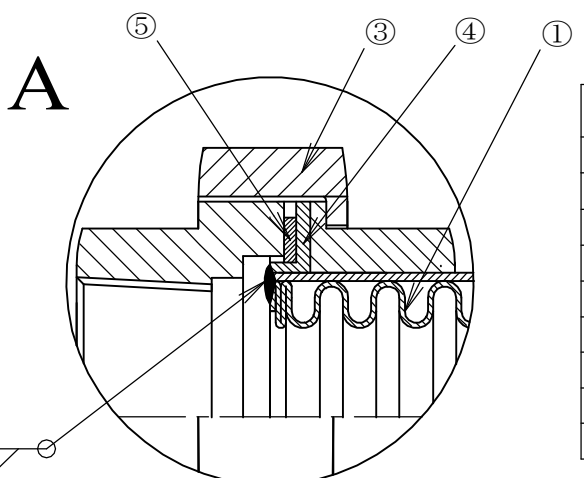
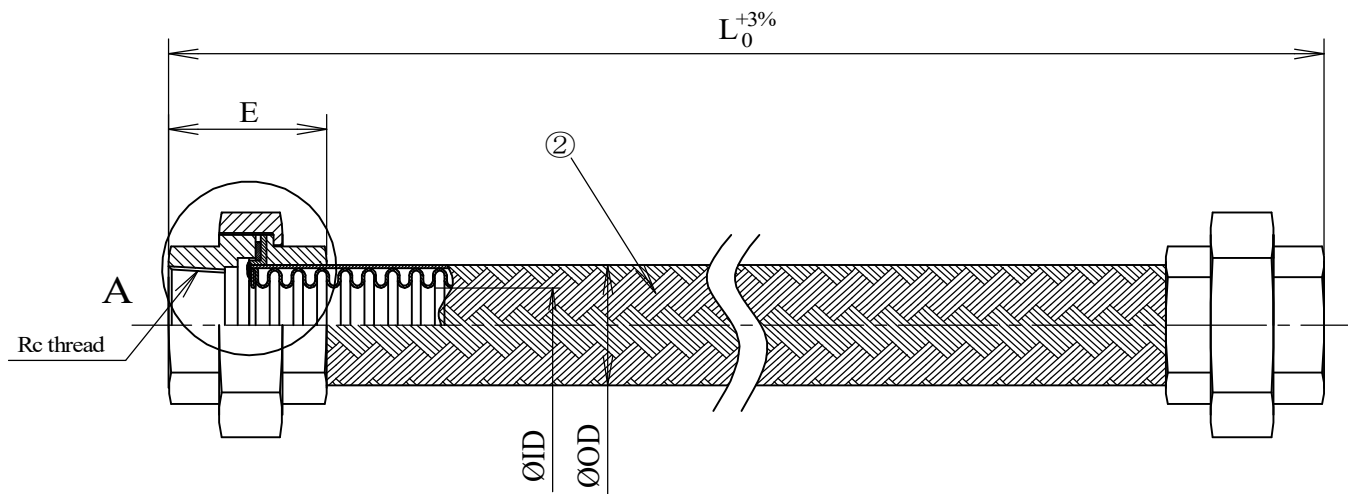
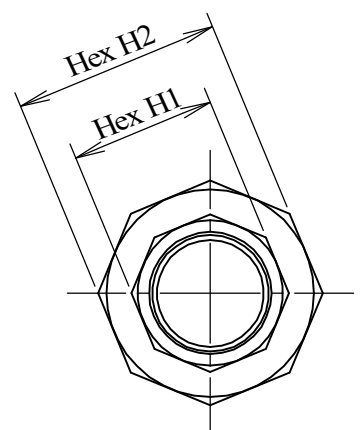


Customer	--
Project	--

MARK	DATE	REV. RECORD	REV. BY	APPR. BY
△				
△				
△				



Size		Union				Tube		Length/Q'ty									
DN	Inch	H1	H2	Rc	E	ID	OD	L	Q	L	Q	L	Q	L	Q	L	Q
15	1/2	27	42	1/2	42	13.0	19.6	300	-	500	-	600	-	800	-	1000	-
20	3/4	33	49	3/4	49	19.0	26.9	300	-	500	-	600	-	800	-	1000	-
25	1	41	59	1	55	25.3	34.0	300	-	500	-	600	-	800	-	1000	-
32	1-1/4	50	69	1-1/4	60	33.5	42.2	300	-	500	-	600	-	800	-	1000	-
40	1-1/2	56	78	1-1/2	67	39.1	49.1	300	-	500	-	600	-	800	-	1000	-
50	2	69	93	2	74	52.6	63.1	300	-	500	-	600	-	800	-	1000	-
65	2-1/2	86	112	2-1/2	85	39.1	49.1	300	-	500	-	600	-	800	-	1000	-
80	3	99	127	3	92	52.6	63.1	300	-	500	-	600	-	800	-	1000	-

Note:

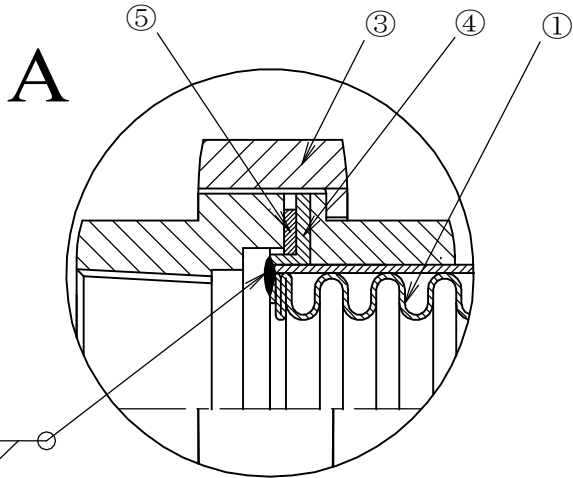
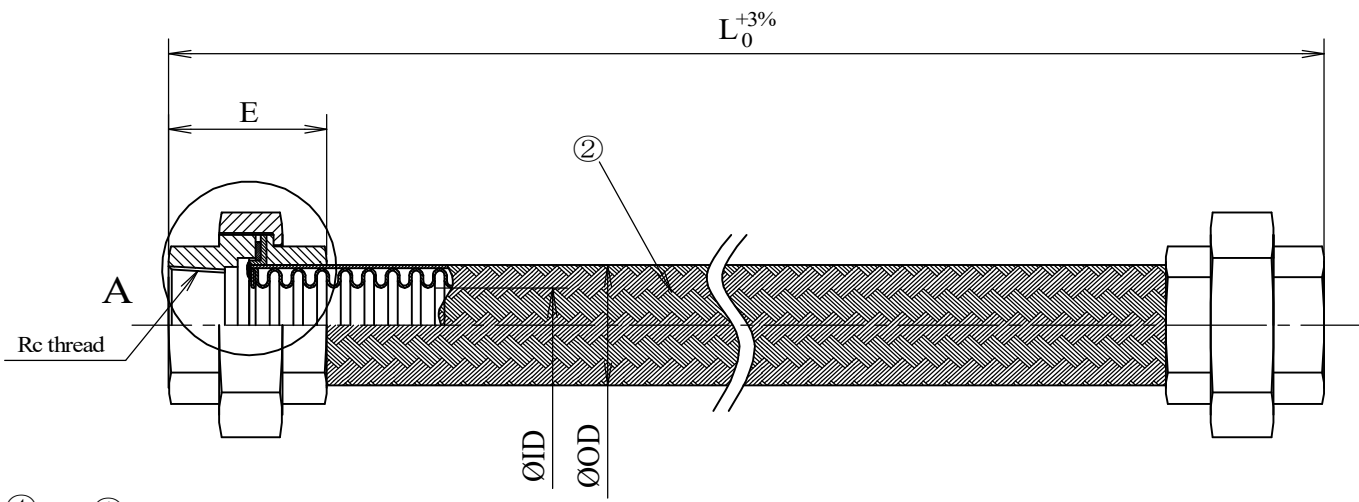
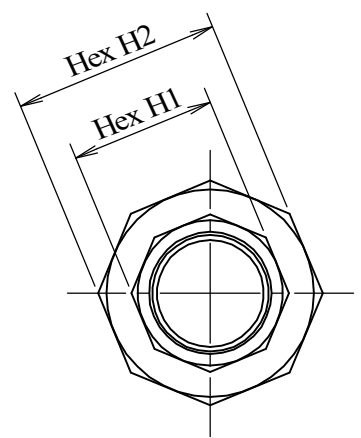
- 1.
- 2.
- 3.

10	-	-	-	-	Customer	-
9	-	-	-	-	Nominal Dia	DN15-80
8	-	-	-	-	Length	L--- mm
7	-	-	-	-	Fluid	-
6	-	-	-	-	Design press	1.0 Mpa
5	Gasket	Non-asbestos	2	-	Design temper.	40 °C
4	Collar	SUS304	2	-	Hydraulic test	- Mpa
3	Union	FCMB	2	BSPT - Rc	Pneumatic test	1.1 Mpa
2	Braid	SUS304	1	1 Ply	Bend radius	- mm
1	Tube	SUS304	1	STD	Axial move	- mm
No	Parts name	Material	Q'ty	Remark	Lateral move	10 mm

Product Name	NK-VN1000 Metallic Flexible Hose		
Projection method		Scale	Free
Date	Approved	Checked	Drawn
31/03/2021	-	Dat	Linh
A Member Of Nagoku Flexible Hose Industry NFK VIET NAM CO.,LTD			
Draw No	NFK-VN000575-6		

Customer	--
Project	--

MARK	DATE	REV. RECORD	REV. BY	APPR. BY
△				
△				
△				



Size		Union				Tube		Length/Q'ty									
DN	Inch	H1	H2	Rc	E	ID	OD	L	Q	L	Q	L	Q	L	Q	L	Q
15	1/2	27	42	1/2	42	13.0	19.6	300	-	500	-	600	-	800	-	1000	-
20	3/4	33	49	3/4	49	19.0	26.9	300	-	500	-	600	-	800	-	1000	-
25	1	41	59	1	55	25.3	34.0	300	-	500	-	600	-	800	-	1000	-
32	1-1/4	50	69	1-1/4	60	33.5	42.2	300	-	500	-	600	-	800	-	1000	-
40	1-1/2	56	78	1-1/2	67	39.1	49.1	300	-	500	-	600	-	800	-	1000	-
50	2	69	93	2	74	52.6	63.1	300	-	500	-	600	-	800	-	1000	-
65	2-1/2	86	112	2-1/2	85	39.1	49.1	300	-	500	-	600	-	800	-	1000	-
80	3	99	127	3	92	52.6	63.1	300	-	500	-	600	-	800	-	1000	-

TIG

Note:

- 1.
- 2.
- 3.

10	-	-	-	-	Customer	-
9	-	-	-	-	Nominal Dia	DN15-80
8	-	-	-	-	Length	L--- mm
7	-	-	-	-	Fluid	-
6	-	-	-	-	Design press	1.0 Mpa
5	Gasket	PTFE	2	-	Design temper.	40 °C
4	Collar	SUS304	2	-	Hydraulic test	- Mpa
3	Union	SCS13	2	BSPT - Rc	Pneumatic test	1.1 Mpa
2	Braid	SUS304	1	1 Ply	Bend radius	- mm
1	Tube	SUS304	1	STD	Axial move	- mm
No	Parts name	Material	Q'ty	Remark	Lateral move	10 mm

Product Name	NK-VN1000 Metallic Flexible Hose		
Projection method		Scale	Free
Date	Approved	Checked	Drawn
31/03/2021	-	Dat	Linh
A Member Of Nagoku Flexible Hose Industry NFK VIET NAM CO.,LTD			
Draw No	NFK-VN000575-7		