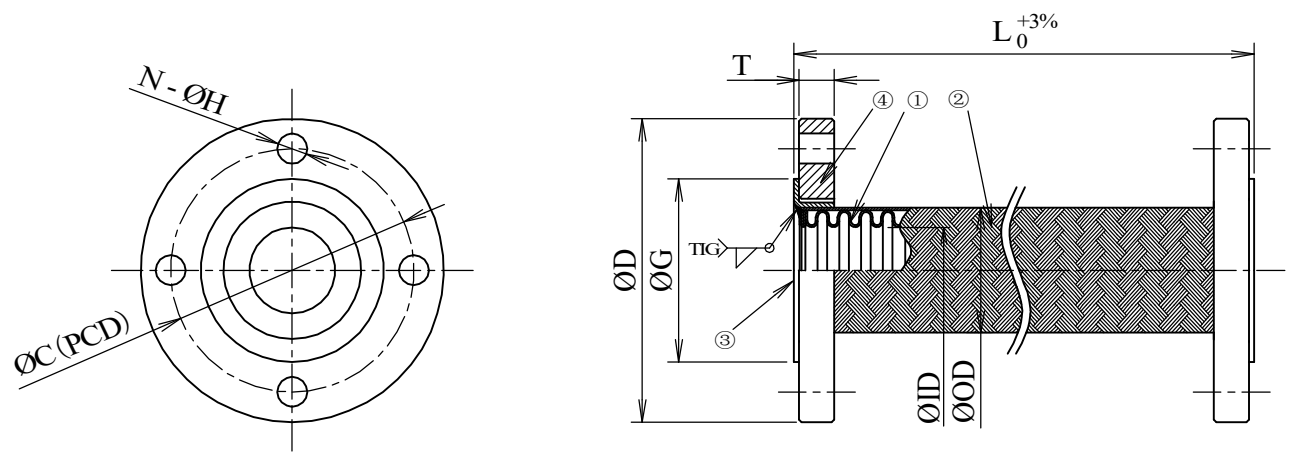


Customer	--
Project	--

MARK	DATE	REV. RECORD	REV. BY	APPR. BY
\triangle^3	26/01/2022	Add size of product	Sang	Dat
\triangle				
\triangle				



Size		Flange				Flange collar	Tube		Length/Q'ty									
DN	Inch	D	C	T	N-H	G	ID	OD	L	Q	L	Q	L	Q	L	Q	L	Q
15	1/2	95	70	12	4-15	51	13.0	19.6	300	-	500	-	600	-	800	-	1000	-
20	3/4	100	75	14	4-15	56	19.0	26.9	300	-	500	-	600	-	800	-	1000	-
25	1	125	90	14	4-19	67	25.3	34.0	300	-	500	-	600	-	800	-	1000	-
32	1-1/4	135	100	16	4-19	76	33.5	42.2	300	-	500	-	600	-	800	-	1000	-
40	1-1/2	140	105	16	4-19	81	39.1	49.1	300	-	500	-	600	-	800	-	1000	-
50	2	155	120	16	4-19	96	52.6	63.1	300	-	500	-	600	-	800	-	1000	-
65	2-1/2	175	140	18	4-19	116	66.0	78.6	300	-	500	-	600	-	800	-	1000	-
80	3	185	150	18	8-19	126	75.0	91.3	300	-	500	-	600	-	800	-	1000	-
100	4	210	175	18	8-19	151	101.0	120.4	300	-	500	-	600	-	800	-	1000	-
125	5	250	210	20	8-22	182	123.8	146	300	-	500	-	600	-	800	-	1000	-
150	6	280	240	22	12-23	212	148.8	173.0	300	-	500	-	600	-	800	-	1000	-
200	8	330	290	22	12-23	262	194.6	224.5	300	-	500	-	600	-	800	-	1000	-
250	10	400	355	24	12-25	325	244.6	278.0	300	-	500	-	600	-	800	-	1000	-

Note:

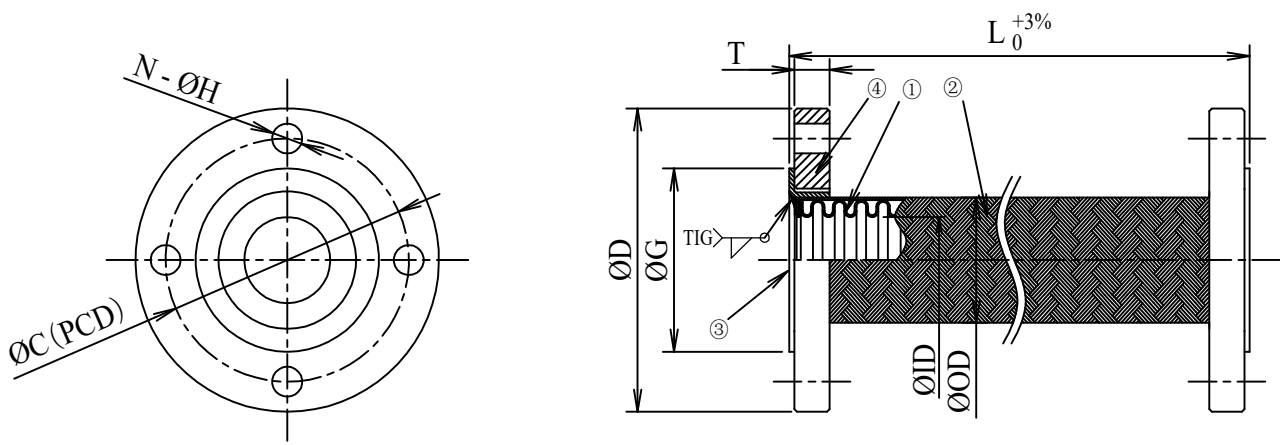
1. Flange : Cr3+ Gavanized.
- 2.
- 3.

10	-	-	-	-	Customer	-	Product Name	NK-VN3100 Metallic Flexible Hose					
9	-	-	-	-	Nominal Dia	DN15-250 \triangle		Projection method					Scale
8	-	-	-	-	Length	L--- mm	Date		27/03/2021	Approved	Checked	Drawn	
7	-	-	-	-	Fluid	-		Design press	-	-	-	-	
6	-	-	-	-	Design temper.	40 °C	Hydraulic test		-	-	-	-	
5	-	-	-	-	Hydraulic test	1.0 Mpa		Pneumatic test	1.1	-	-	-	
4	Loose flange	SS400	2	JIS 10K FF	Bend radius	- mm	Axial move		-	-	-	-	
3	Flange collar	SUS304	2	-	Axial move	- mm		Lateral move	10	-	-	-	
2	Braid	SUS304	1	1ply	Draw No	NFK-VN000575-1-R1 \triangle							
1	Tube	SUS304	1	STD									
No	Parts name	Material	Qty	Remark									



Customer	--
Project	--

MARK	DATE	REV. RECORD	REV. BY	APPR. BY
\triangle^3	26/01/2022	Add size of product	Sang	Dat
\triangle				
\triangle				



Size		Flange				Flange collar	Tube		Length/Q'ty									
DN	Inch	D	C	T	N-H	G	ID	OD	L	Q	L	Q	L	Q	L	Q	L	Q
15	1/2	95	70	12	4-15	51	13.0	19.6	300	-	500	-	600	-	800	-	1000	-
20	3/4	100	75	14	4-15	56	19.0	26.9	300	-	500	-	600	-	800	-	1000	-
25	1	125	90	14	4-19	67	25.3	34.0	300	-	500	-	600	-	800	-	1000	-
32	1-1/4	135	100	16	4-19	76	33.5	42.2	300	-	500	-	600	-	800	-	1000	-
40	1-1/2	140	105	16	4-19	81	39.1	49.1	300	-	500	-	600	-	800	-	1000	-
50	2	155	120	16	4-19	96	52.6	63.1	300	-	500	-	600	-	800	-	1000	-
65	2-1/2	175	140	18	4-19	116	66.0	78.6	300	-	500	-	600	-	800	-	1000	-
80	3	185	150	18	8-19	126	75.0	91.3	300	-	500	-	600	-	800	-	1000	-
100	4	210	175	18	8-19	151	101.0	120.4	300	-	500	-	600	-	800	-	1000	-
125	5	250	210	20	8-22	182	123.8	146	300	-	500	-	600	-	800	-	1000	-
150	6	280	240	22	12-23	212	148.8	173.0	300	-	500	-	600	-	800	-	1000	-
200	8	330	290	22	12-23	262	194.6	224.5	300	-	500	-	600	-	800	-	1000	-
250	10	400	355	24	12-25	325	244.6	278.0	300	-	500	-	600	-	800	-	1000	-

Note:

- 1.
- 2.
- 3.



10	-	-	-	-	Customer	-	Product Name	NK-VN3100 Metallic Flexible Hose			
9	-	-	-	-	Nominal Dia	DN15-250 \triangle		Projection method		Scale	Free
8	-	-	-	-	Length	L--- mm	Date		Approved	Checked	Drawn
7	-	-	-	-	Fluid	-		31/03/2021			
6	-	-	-	-	Design press	1.0 Mpa	31/03/2021		-	Dat	Linh
5	-	-	-	-	Design temper.	40 °C		31/03/2021			
4	Loose flange	SUSF304	2	JIS 10K FF	Hydraulic test	- Mpa			A Member Of Nagoku Flexible Hose Industry		
3	Flange collar	SUS304	2	-	Pneumatic test	1.1 Mpa		NFK VIET NAM CO.,LTD			
2	Braid	SUS304	1	1ply	Bend radius	- mm	Draw No	NFK-VN000575-2-R1 \triangle			
1	Tube	SUS304	1	STD	Axial move	- mm					
No	Parts name	Material	Q'ty	Remark	Lateral move	10 mm					